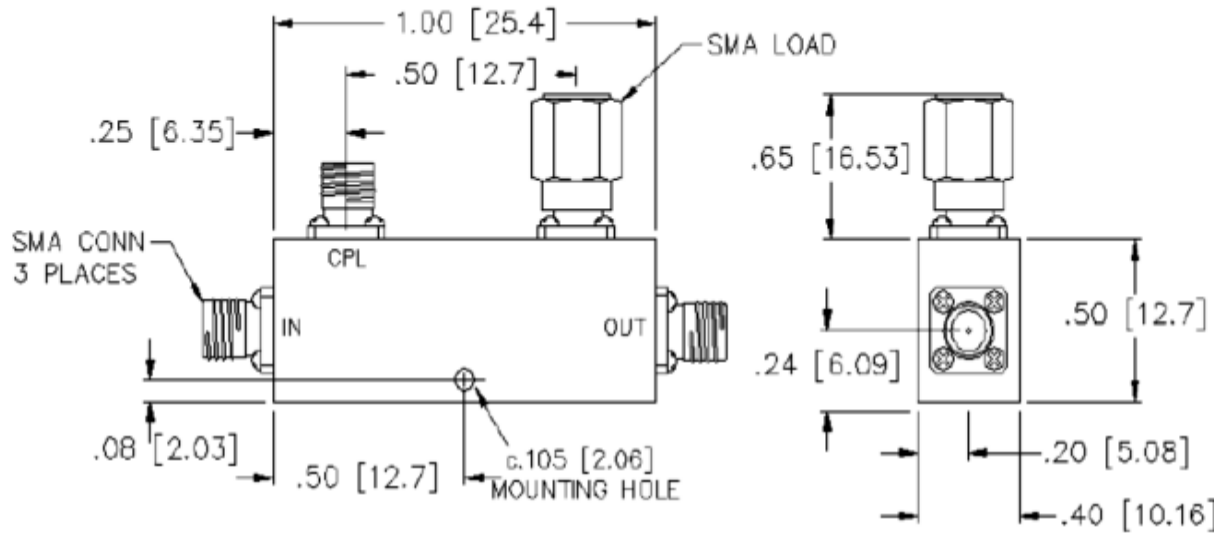


DC-12.5G18G-10-S is a $10\pm 1\text{dB}$ coupling directional coupler, designed to operate over the 12.5 to 18.0 GHz frequency range, with compact size. This model is designed to handle 10W mx input power, and also performs with low insertion loss of 0.6dB max and with coupling flatness of $\pm 0.5\text{dB}$ max, and low VSWR of 1.4 max.

Mechanical Outline(Inch/mm):




Specifications:

| | |
|--------------------|--------------------|
| Coupling: | 10±1dB |
| Frequency: | 12.5 to 18.0 GHz |
| Insertion Loss: | 0.6dB max |
| Coupling flatness: | ±0.5dB max |
| Directivity: | 15dB min |
| Power Handling: | 50W max |
| VSWR: | 1.4:1 max |
| Connectors: | SMA-F (N Optional) |

Environmental Ratings:

| | |
|--------------------|--|
| Temperature: | -25°C to +71 °C Operating -65 °C to +100 °C Non-Operating |
| Vibration: | MIL-STD-202F, Method 204D Cond. B |
| Altitude: | MIL-STD-202F, Method 105C Cond. B |
| Temperature Cycle: | MIL-STD-202F, Method 107D Cond. A |

| Directional Coupler DC-12.5G18G-10-S | | | |
|---|-------------------|----------------------|---|
| DRAWN: | DWG NO.: | REV CODE: Rev.1.0 |  www.connphy.com sales@connphy.com |
| CHECKRD: | DATE: 18/04/15 | SHEET : 1 OF 1 | |
| ISSUED: | SIZE: A | SCALE : N / A | |
| | | | Notes: SPEC ARE SUBJECT TO CHANGE WITHOUT NOTICE. |